

ANLEITUNG

Lenkungsbausatz für 1:87 LKW

Best.-Nr. 96456

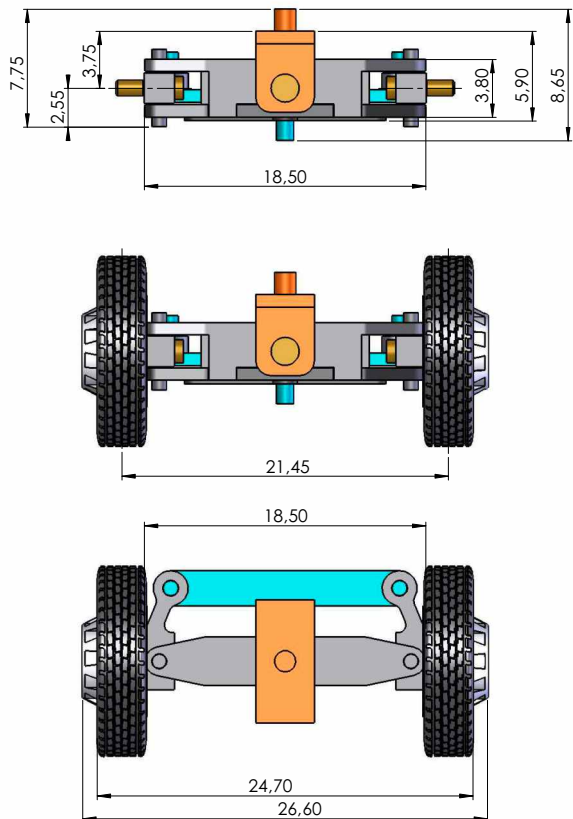
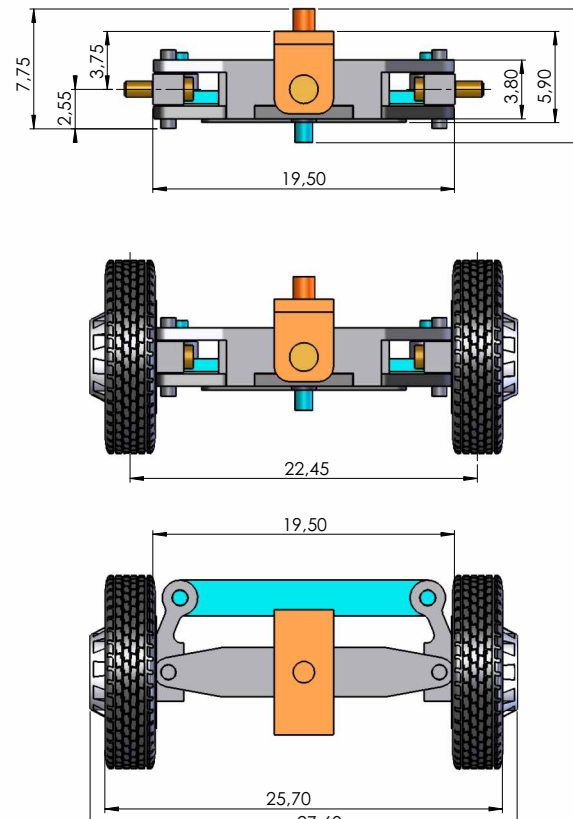
für 2 Spurbreiten 21,5 und 22,5 mm

Ohne Reifen und Felgen, für 2 Spurbreiten: 21,5 und 22,5 mm (Abstand zwischen den Mittelpunkten der Reifen).
Für Car und RC-Systeme. Geeignet für 1:87 LKW.

INHALT:

- 2 x Achsschenkel (links und rechts)
- 2 x Spurstange
- 2 x Achskörper
- 2 x Achsverschluß
- 1 X Achshalterung
- 2 x Achsschenkelbolzen
- 1 x Zentralbolzen



Abmessungen und Aufbau	
Spurbreite 21,5	Spurbreite 22,5
 <p>Dimensions for 21,5 mm track width:</p> <ul style="list-style-type: none"> Overall height: 7,75 Height to top of axle body: 3,75 Height to top of axle closure: 2,55 Distance between axle arm centers: 18,50 Distance from axle body to axle closure: 3,80 Distance from axle body to axle holder: 5,90 Distance from axle body to axle holder: 8,65 Distance between tire centers: 21,45 Distance between axle arm centers: 18,50 Distance from axle holder to tire center: 24,70 Distance from axle holder to tire center: 26,60 	 <p>Dimensions for 22,5 mm track width:</p> <ul style="list-style-type: none"> Overall height: 7,75 Height to top of axle body: 3,75 Height to top of axle closure: 2,55 Distance between axle arm centers: 19,50 Distance from axle body to axle closure: 3,80 Distance from axle body to axle holder: 5,90 Distance from axle body to axle holder: 8,65 Distance between tire centers: 22,45 Distance between axle arm centers: 19,50 Distance from axle holder to tire center: 25,70 Distance from axle holder to tire center: 27,60

ANLEITUNG

Lenkungsbausatz für 1:87 LKW

Best.-Nr. 96456

für 2 Spurbreiten 21,5 und 22,5 mm

Aufbau

